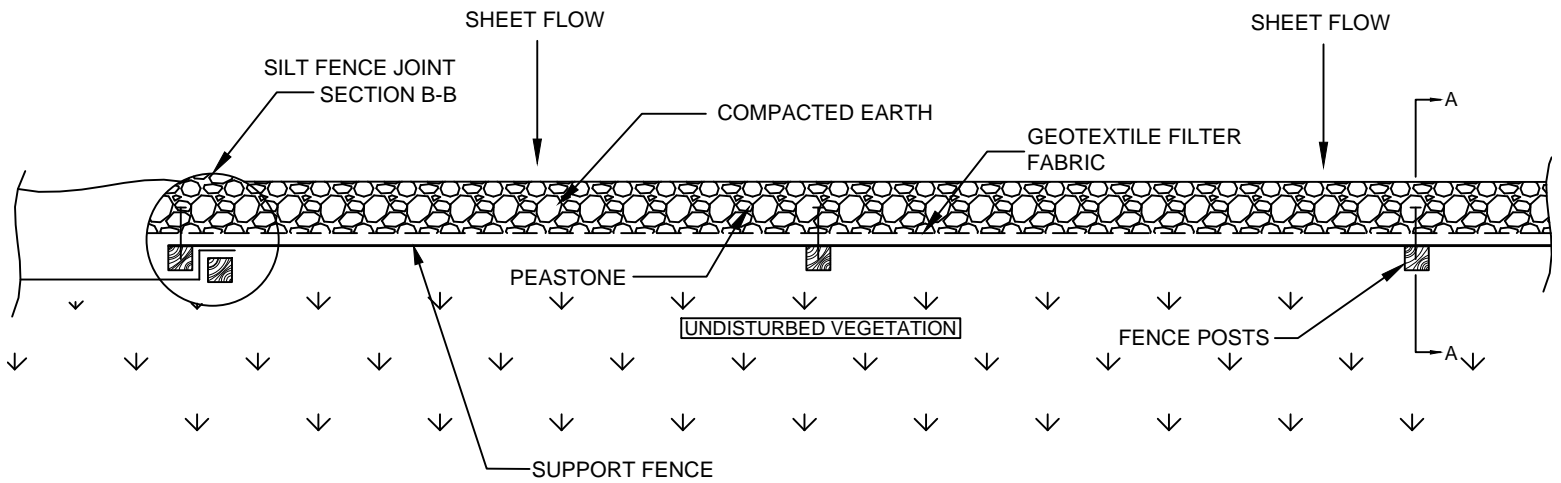
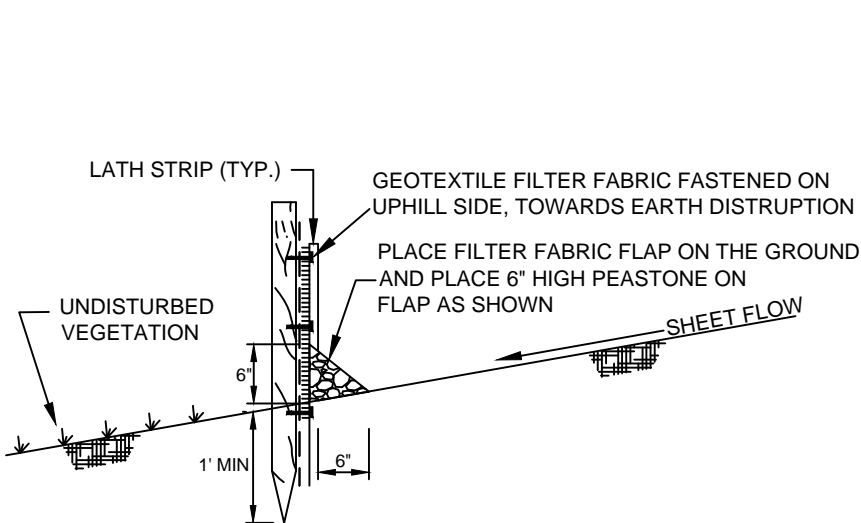
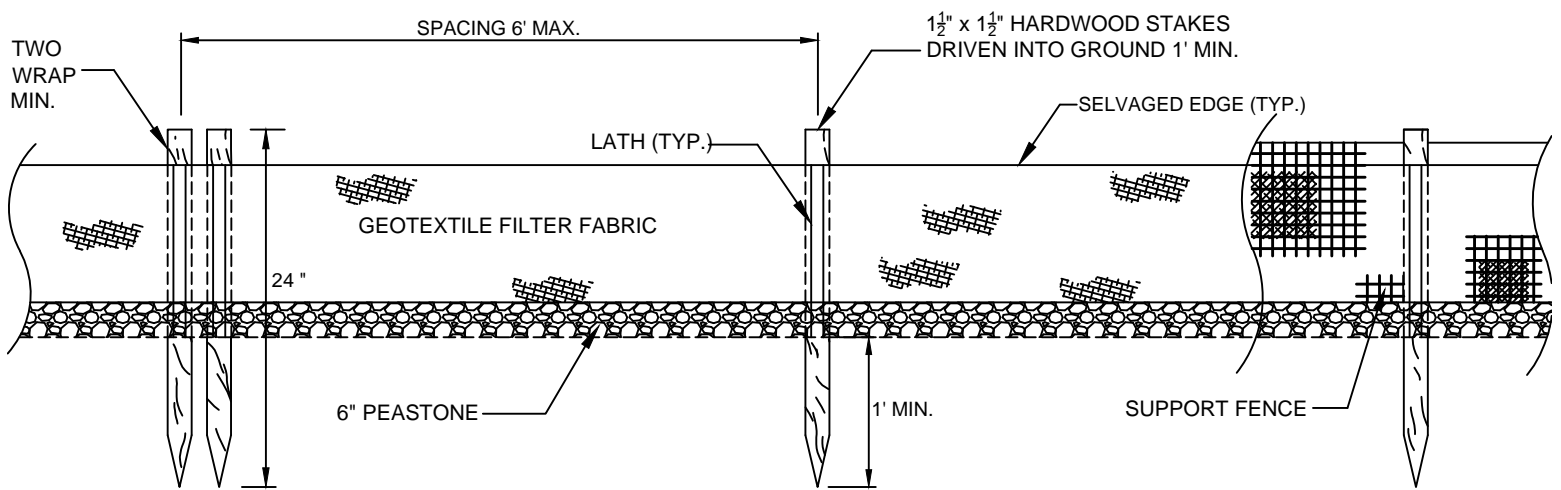


WINTER/FROZEN GROUND SILT FENCE WITH SUPPORT FENCE (SESC-7)

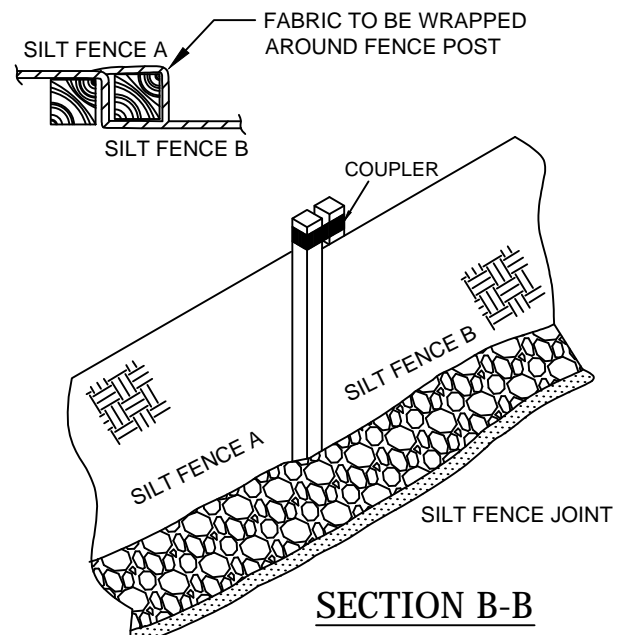
PLAN VIEW



FRONT VIEW



SECTION A-A



SECTION B-B