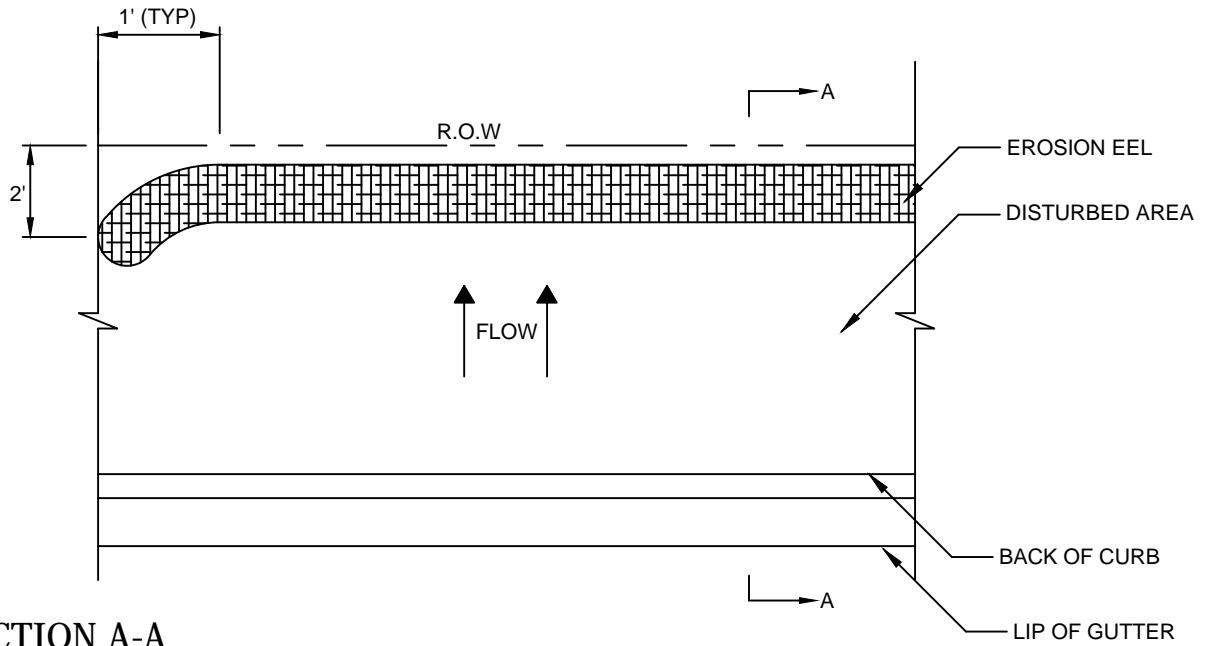
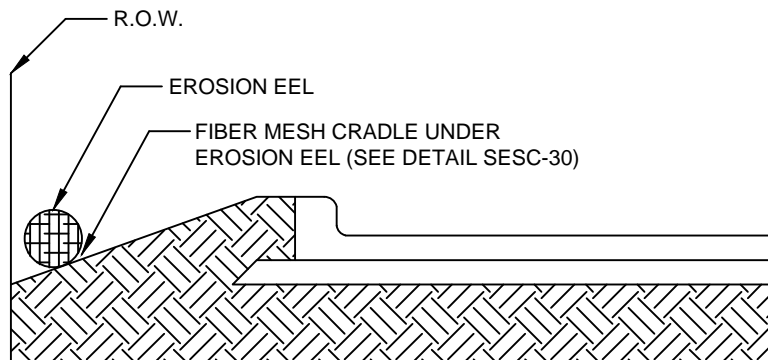


PLACED AT EDGE OF ROADWAY RIGHT-OF-WAY (SESC-34)

PLAN VIEW



SECTION A-A



SEE DETAIL SESC-35 FOR GENERAL NOTES.