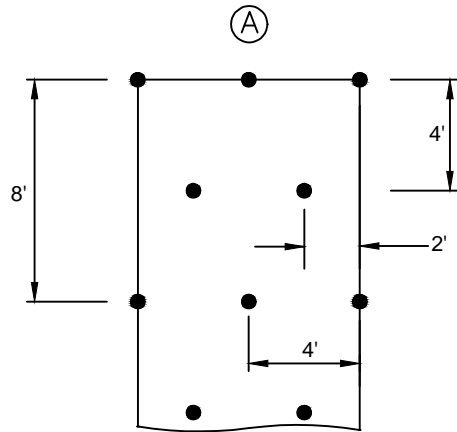


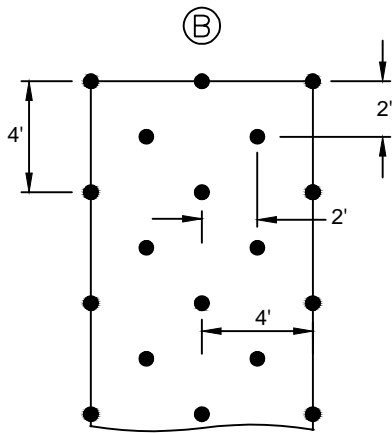
STAPLE PATTERN GUIDE 8 FT. WIDE ROLLS

(SESC-16)

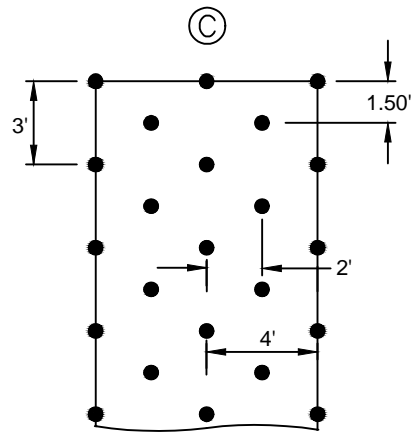


RECOMMENDED STAPLES PER ROLL ON 8 FT. WIDE X112 FT. LONG ROLLS (100 SQ.YD.)	
PATTERN	QUANTITY
A	70
B	130
C	170
D	340
E	360

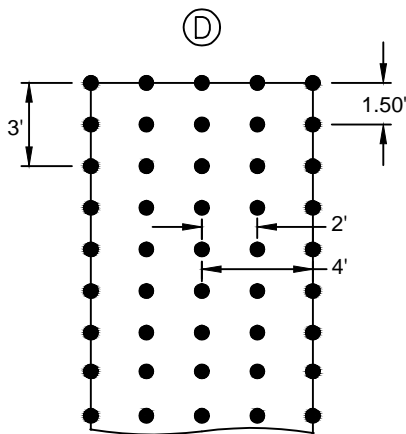
0.7 STAPLES PER SQ. YD.



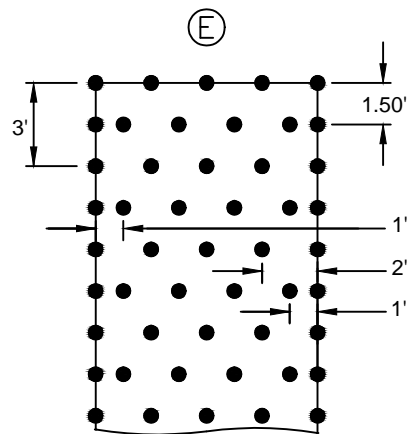
1.3 STAPLES PER SQ. YD.



1.7 STAPLES PER SQ. YD.



3.4 STAPLES PER SQ. YD.



3.6 STAPLES PER SQ. YD.